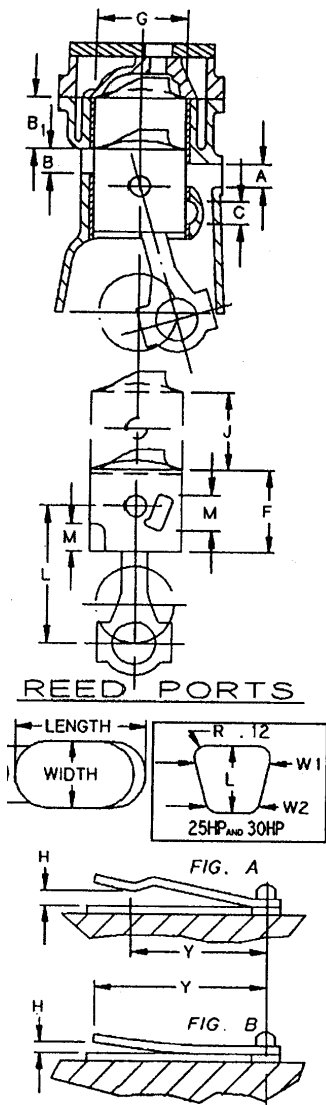
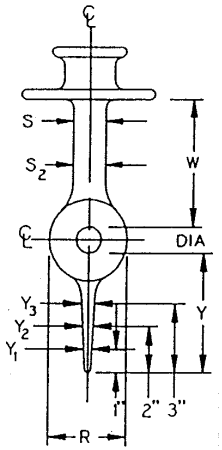
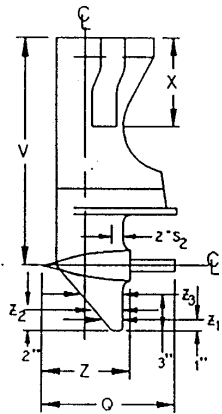


RACE CLASS: SST-60



MANUFACTURER				OMC				
ADVERTISED SALES NAME				JOHNSON / EVINRUDE SST-60				
CLASS; DISPLACEMENT MAX			in ³	SST-60; 56.1				
NUMBER OF CYLINDERS				3				
MIN. VOLUME OF COMBUSTION CHAMBER (INC'L SPARK PLUG HOLE)			cm ³	28.5				
CARBURETOR	VENTURI	± .015	in	1.250				
	BORE	± .015	in	1.500				
	QUANTITY PER ENGINE			3				
POWERHEAD SPECIFICATIONS	G	CYLINDER BORE	± .005	in	3.187	+ .030 OEM Piston	Approved	
	J	PISTON STROKE	± .011	in	2.344			
	L	ROD LENGTH	± .006	in	4.000			
	K	DECK HEIGHT	± .012	in	6.375	6.363 Min		
	F	PISTON LENGTH	± .030	in	2.600			
	M	PORT HEIGHT	± .030	in	2 @ 1.220			
	NUMBER OF PORTS PER CYLINER	A	TRANSFER		3			
		B	EXHAUST		2			
		C	PISTON		--			
	PORT HEIGHT	A	TRANSFER	± .035	In	2 @ 0.545; 1 @ 6.15		
		B	EXHAUST	± .035	In	.918 (plus chamfer)		
		B ₁	EXHAUST	± .035	In	1.485	1.393 min. to Chamfer	See note # 3
		C	PISTON	± .035	In	--		
	PORT TIMING	A	TRANSFER	± 2°	ATC	2 @ 118°; 1 @ 120°	See note # 4	
		B	EXHAUST	± 2°	ATC	94°		
		C	PISTON	± 2°	ATC	--		
	REED BLOCK (ONE CYLINDER)	# OF PORTS				6		
		LENGTH x WIDTH SIZE OF PORTS		MAX	In	1.42x0.675	See note # 5	
REED MAT'L								
REED THICKNESS		±.001	In	.010 Steel or Blue 2 Stage Glass	See note # 6			
H		REED STOP HGT.	MAX	In	.280	See notes # 2 & # 6		
Y	CHECKING DIS.	±.030	In	1.460				
WEIGHT (ONE SET)	FLYWHEEL		MIN	Lbs	10.0			
	PISTONS, RINGS, ROD, WRIST PIN, SPACERS, BEARINGS		MIN	Lbs	1.75			

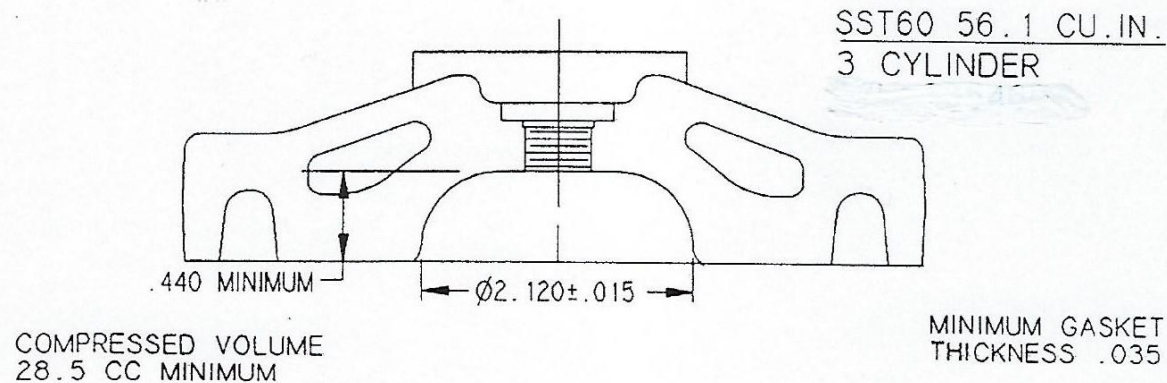
RACE CLASS: SST-60



MANUFACTURER				OMC				
GEARCASE MODEL IDENTIFICATION				GR-39M				
ADVERTISED SALES NAME				JOHNSON / EVINRUDE SST-60				
GEARCASE SPECIFICATIONS	GEAR RATIO			15:28				
	X	EXHAUST TUBE LENGTH- POWERHEAD BASE TO PRIMARY TUBE END	± .25	in	7.69			
	Q	TORPEDO LENGTH (W/ PROPSHAFT)	MAX	in	19.3			
	R	TORPEDO WIDTH	MIN	in	3.30			
	S	STRUT WIDTH	MIN	in	1.5			
	S ₂	STRUT WIDTH (2" FORWARD OF TRAILING EDGE)	MIN	in	--			
	W	DIS. FROM PROPSHAFT TO CAVITATION PLATE	± .2	in	6.25			
	Y	LENGTH OF SKEG FROM PROPSHAFT	± .2	in	6.40			
	Z	TORPEDO LENGTH	± .2	in	14.125			
	V	PROPSHAFT CENTERLINE TO POWERHEAD BASE	LONG SHAFT	± .2	in	--		
			SHORT SHAFT	± .2	in	23.5		
	Y ₁	SKEG THICKNESS	MIN	in	.16	See note # 10		
	Y ₂	SKEG THICKNESS	MIN	in	.200	See note # 10		
	Y ₃	SKEG THICKNESS	MIN	in	.240	See note # 10		
	Z ₁	SKEG CORD LENGTH	± .2	in	4.90	See note # 10		
	Z ₂	SKEG CORD LENGTH	± .2	in	5.80	See note # 10		
	Z ₃	SKEG CORD LENGTH	± .2	in	6.60	See note # 10		
	DIA	PROPSHAFT DIA	± .01	in	.875			

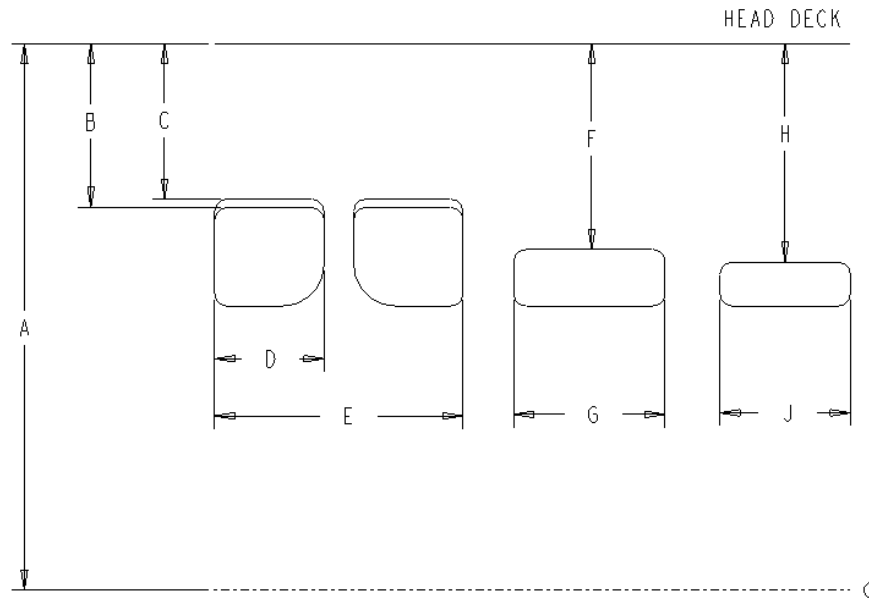
SST-60 NOTES

1. Head:



2. Incorporates .012 shims under one or both reed stops.
3. Ports are machined at timing edge. Cylinder passages are as cast and may have mismatch at sleeve. B_1 dimension to top of chamfer = 1.393 minimum.
4. Port timing tolerance on boost port = $+4^\circ / -2^\circ$
5. Dimensions for center port = 1.450 long x .675 wide (maximum).
6. Standard SST 60 reed is steel .010 thick and reed stop height is $H = .280$ maximum.
Alternate reed for SST-60 may be used: OMC P/N 568428, bottom reed = $.028 \pm .003$; top reed $.017 \pm .003$, $H = .300$ maximum.
7. Early production piston length is $2.500 \pm .030$.
8. Water pump: A plastic outer with 1 piece steel inner utilizes a 3 blade impeller, while the 2 piece steel inner utilizes a 6 blade impeller.
9. SST-60 may or may not have two through holes in the piston at the exhaust bridge for oiling.
10. Or per OMC P/N 568295 Templet Kit.
11. Can only use Foam Mold block.
12. RaPair replacement ignition parts are approved P/N: Stator – 173-3724, Trigger – [113-3378](#), Rectifier – 153-3408, Coil – 183-2508, Power Pack 113-2115.
13. For ease of inspection, see table below for measuring ports from the Top Deck to the Top of the Ports.
14. SST 60 Cylinder Head P/N 335460 may be substituted with like production 56.1 cu.in. cylinder head. Must meet SST60 dimensions and cylinder head pockets must remain as cast.

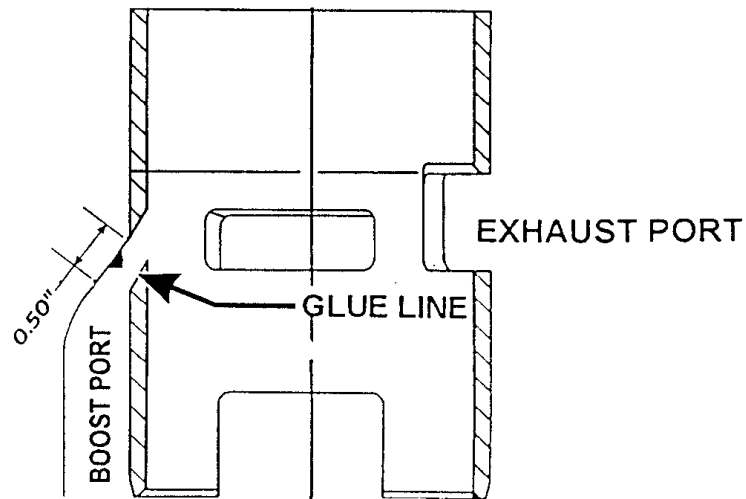
SST-60 NOTES



Port Measurements from Block Top Deck down to Top of Port				
	SST 60	Minimum	Maximum	
		Inches	Inches	
A	Deck Height	6.363	6.387	
B	Exhaust Port	1.450	1.520	
C	Exhaust Port Chamfer	1.393	1.465	
D	Exhaust Port Width per port		1.075	
E	Exhaust Port Width overall			
F	Transfer Port	1.825	1.890	
G	Transfer Width		1.580	
H	Boost Port	1.860	1.950	

J	Boost Port Width		1.255	
---	------------------	--	-------	--

14. Liner:



It is allowable to remove the glue line in the casting of the Boost Port only as diagramed. The cast aluminum surface may be ground to match up with the machined edge of the sleeve. You are allowed to grind back into the Boost Port 1/2 inch on all sides. If grind marks extend past 1/2 inch into the port, your motor will be illegal. The intent is to remove only the glue line and the mismatch with the sleeve, the port shape and angle are to remain stock appearing. The sleeve cannot be altered or modified in any way

Date: 2-20-2020

SST 60 Technical Standards

Max. Total Cu. In.	Minimum	Minimum
Displacement	Boat Length	Boat Weight
56.1 (920cc)	14'	825 Lbs.

Minimum Age requirements 16

	Total Cu. Ft. of Foam in Boat, Including Cockpit	Cu. Ft. of Foam in Reinforced Cockpit Structure, If So Equipped
SST 60	5.5 CF	3.5 CF

SST 60 Boat Standards (see also Rule 18)

- (1) Any design of boat including bottom, deck, cockpit openings and seating arrangements shall be permissible so far as boat meets minimum length.
- (2) Power trim and/or adjustable spoilers shall be allowed in SST 60 classes.
- (3) SST 60 classes can change engine wiring to allow 24-volt starting system.

SST 60 Motor Standards (see also Rule 20)

- (1) All cowling and engine graphics and colors shall be essentially the same as OEM, with updating to later models allowed only as a complete OEM design.
- (2) The SST 60 classes' gearcases may have their outside surfaces contoured, however they must meet the requirements of the OPC Engine Specification sheets (only). The outside surfaces of the gearcases may be either painted or unpainted. If they are painted, the color of the paint must be the same as the original factory motor color. If the gearcases are unpainted, any surface finished is acceptable.
- (3) SST 60 class may use alternate plastic reeds - OMC part number 568428.
- (4) SST 60 class may replace up to three sleeves with OMC replacement sleeves or Advanced sleeves.

WARNING! FOR INSPECTION ONLY! These specifications are not intended as a guide for modification or "blueprinting" and are subject to change as needed.

Date: 2-20-2020

(5) Glue line may be removed on "Boost Port" only. (The Motor Technical Committee established the specifications printed on the inspection sheet).

Revisions:

Rev: 02.25.15 Part number correction, Note #12, trigger part number corrected to 133-3378.

Rev: 02.20.20 Cylinder head part number removed, Note#14 Added.